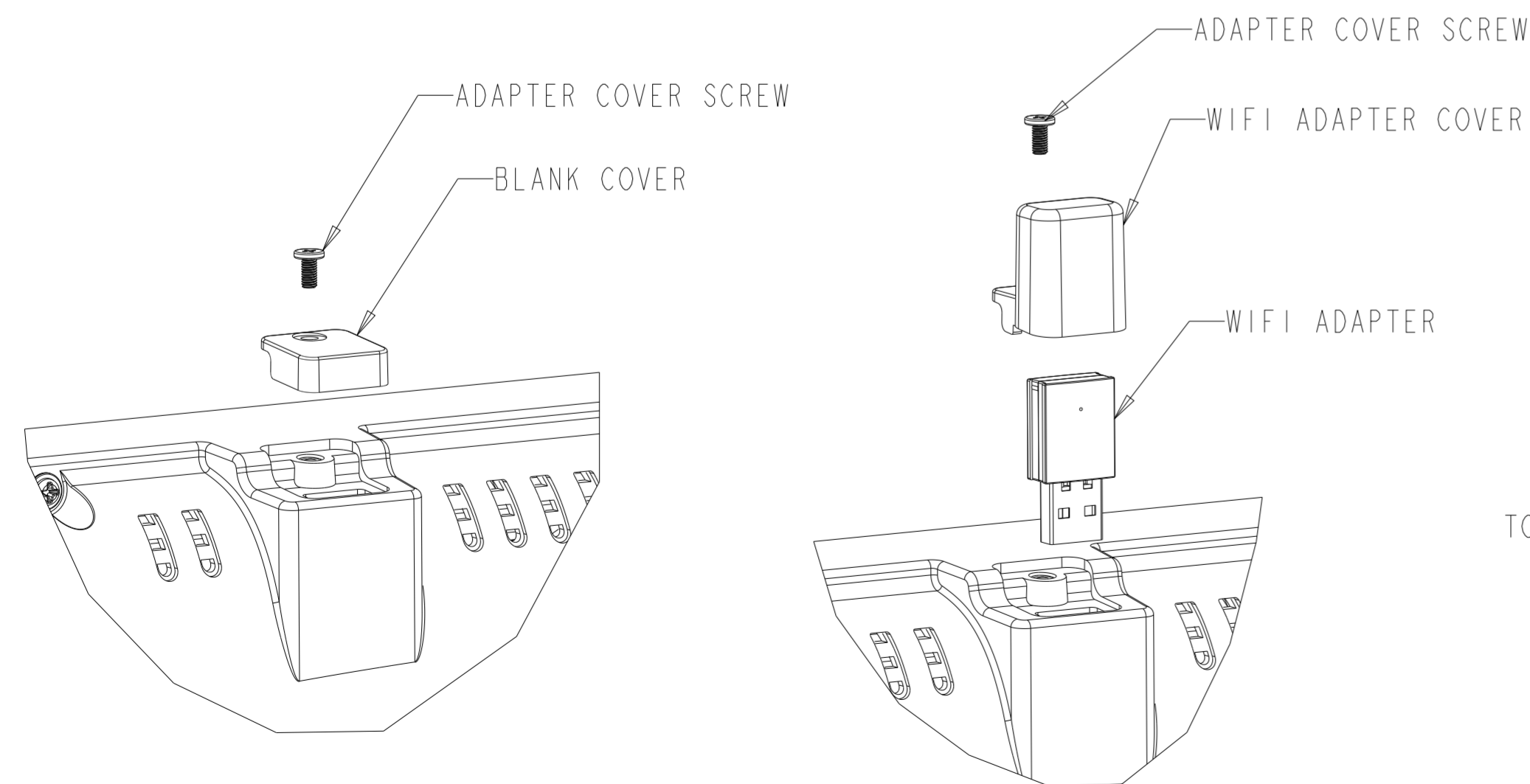
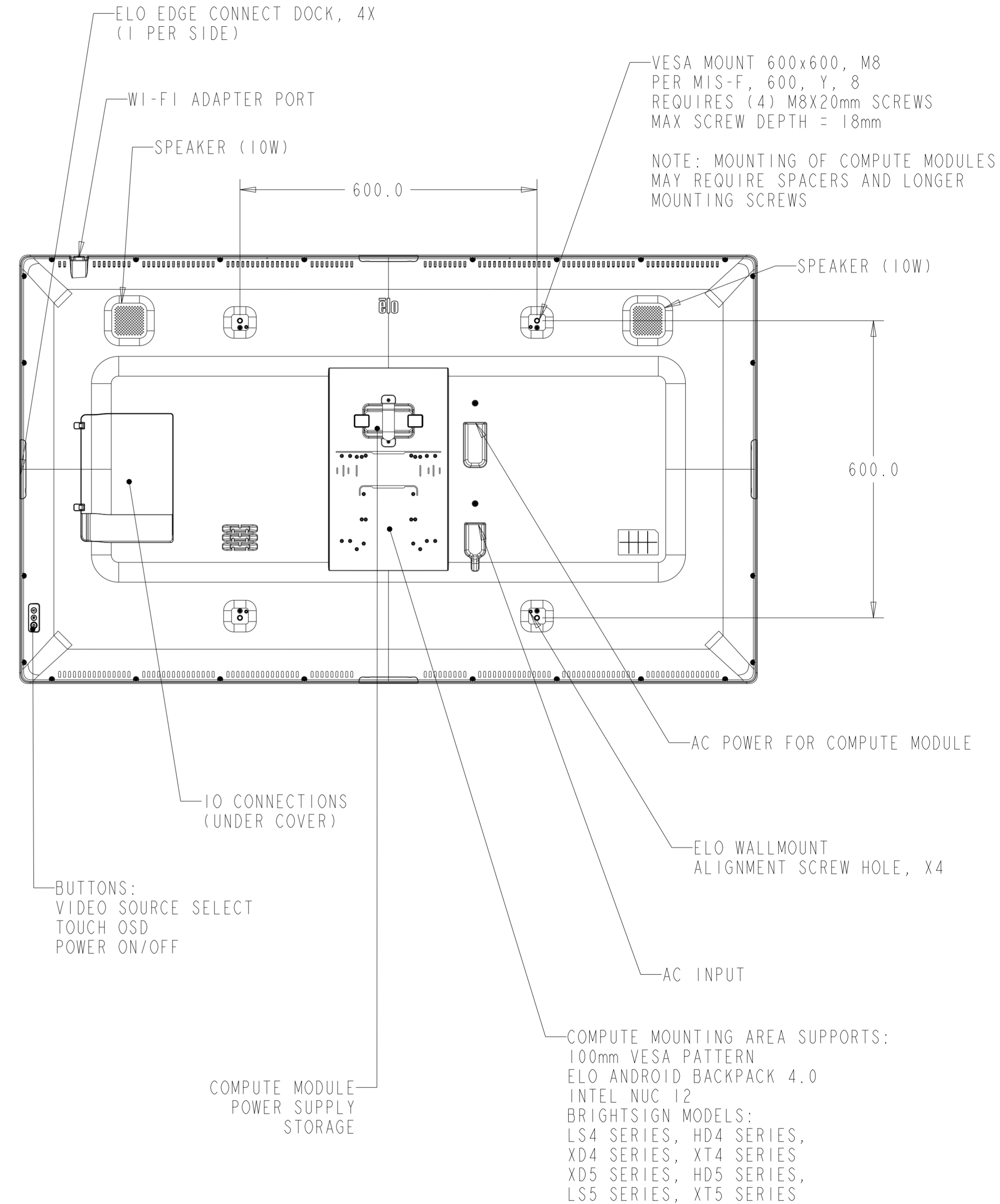
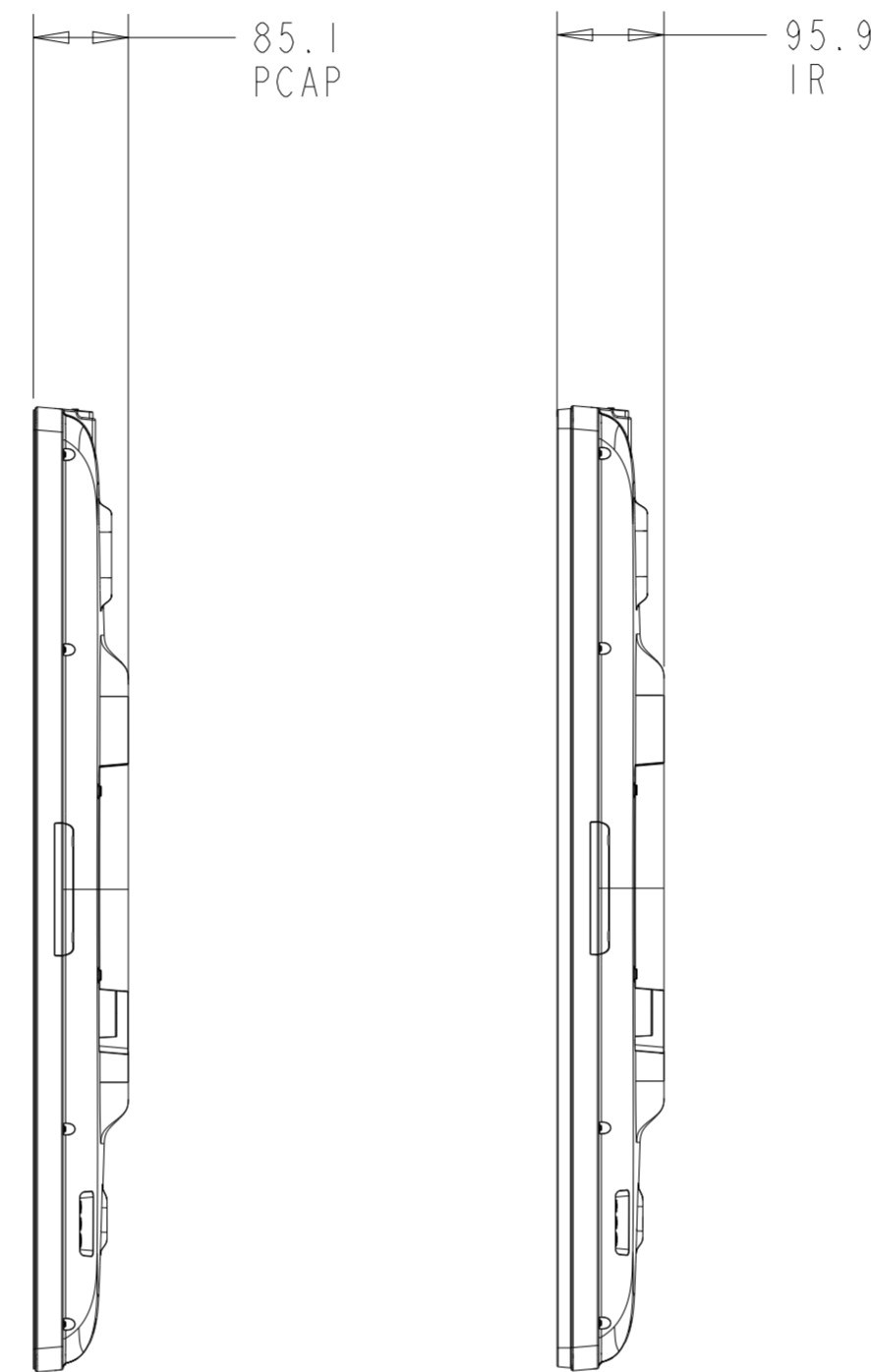
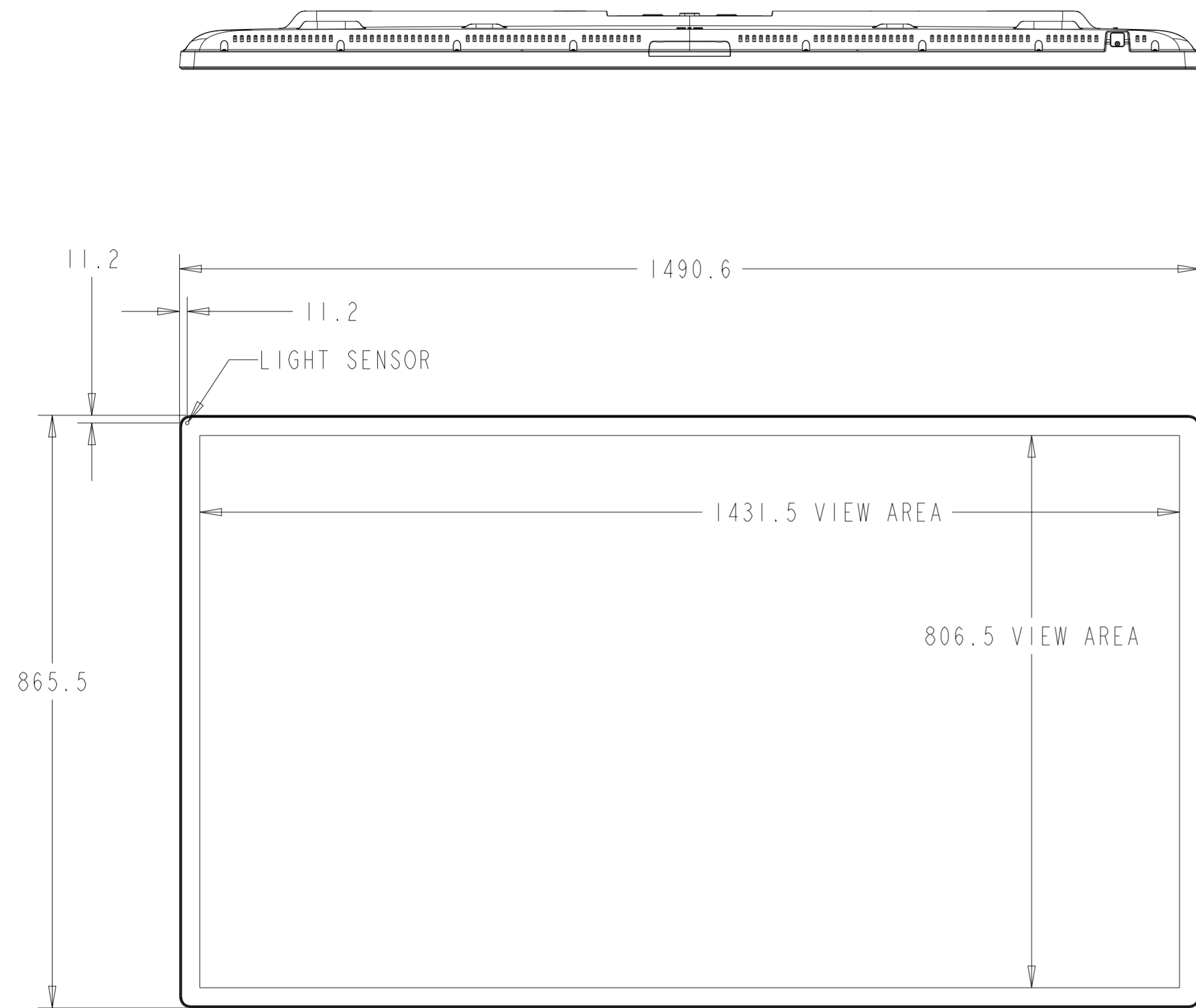
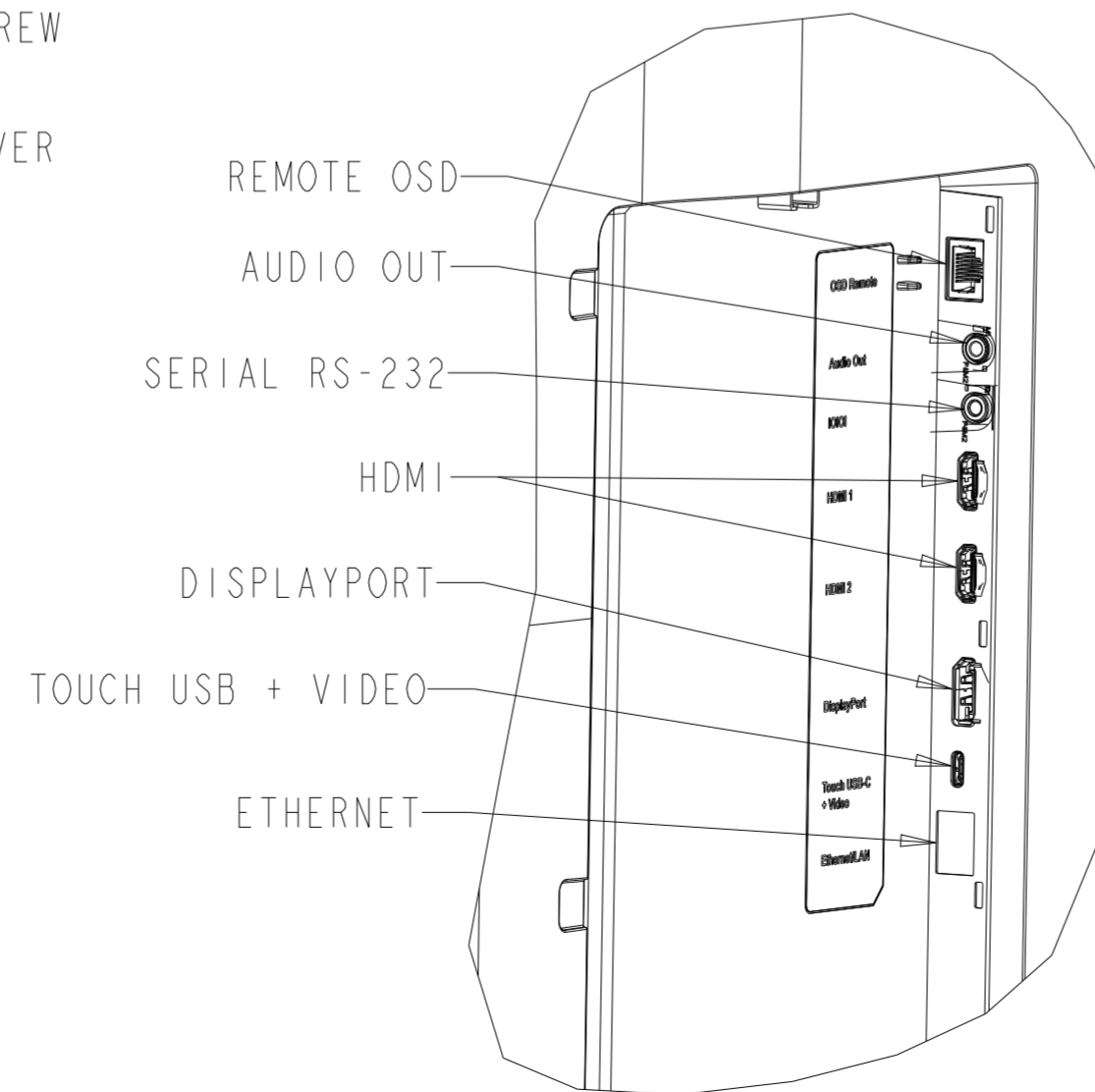


DIMENSIONAL DRAWING: ET6554L



IO CONNECTIONS



DIMENSIONS ARE IN MILLIMETERS

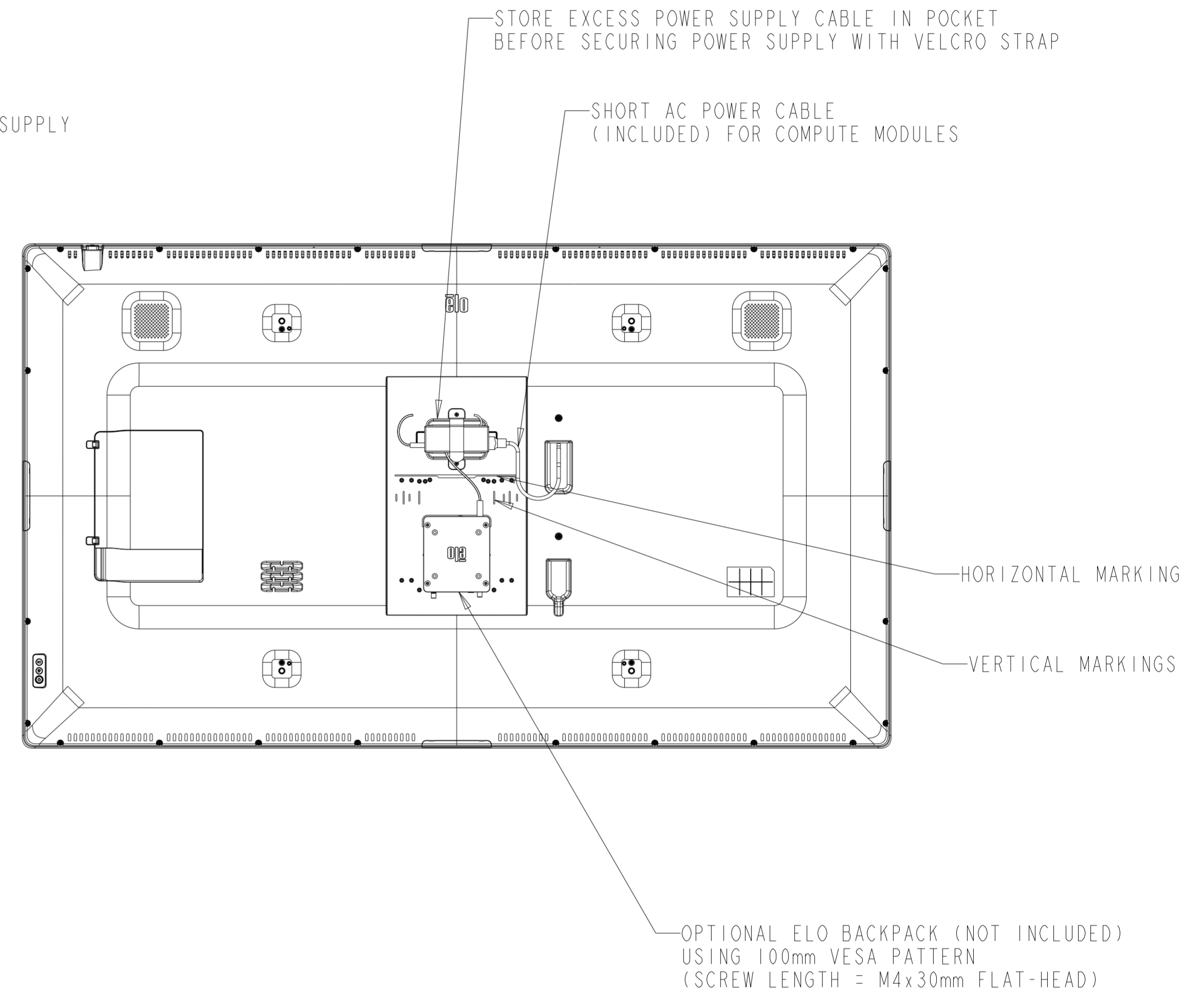
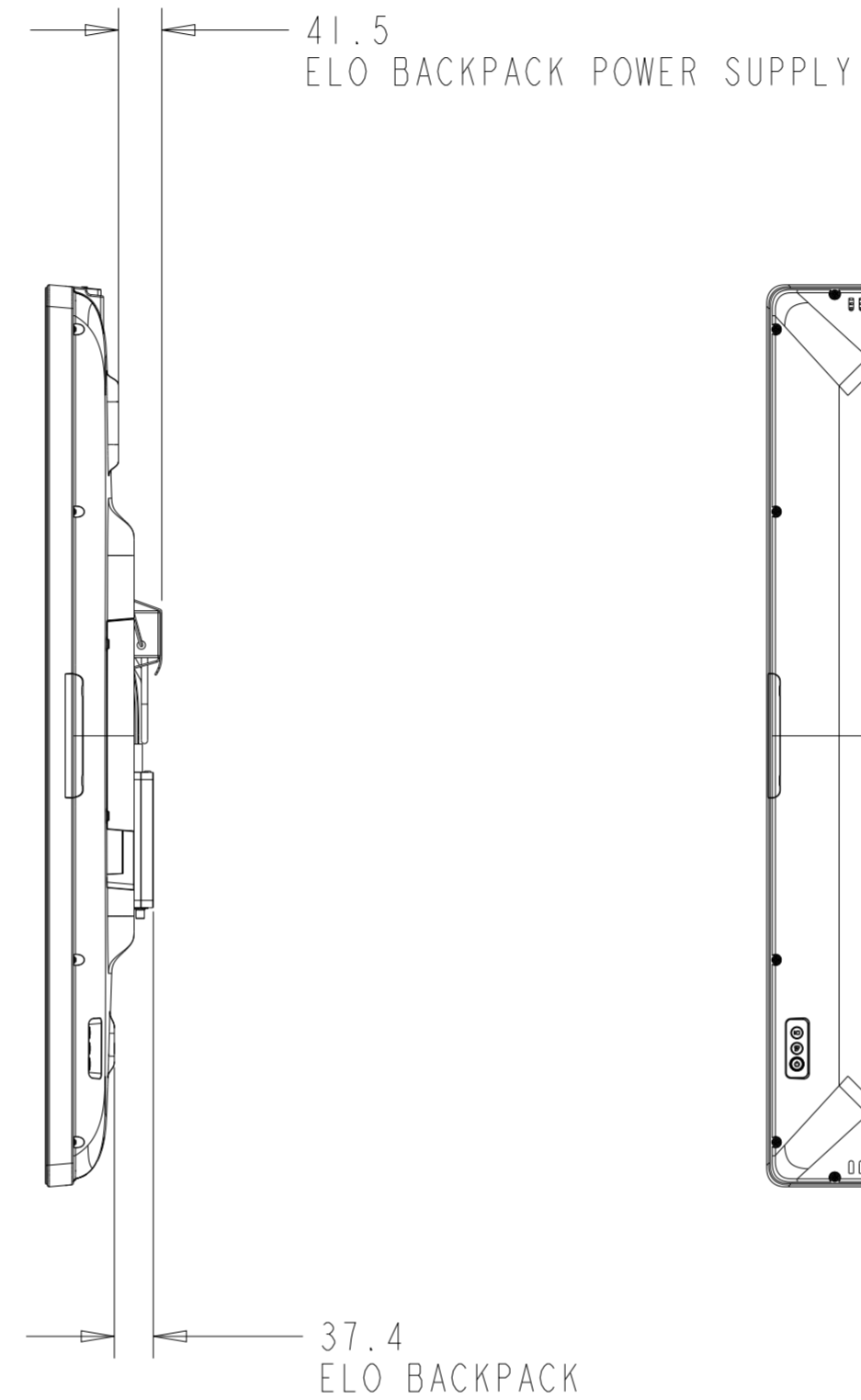
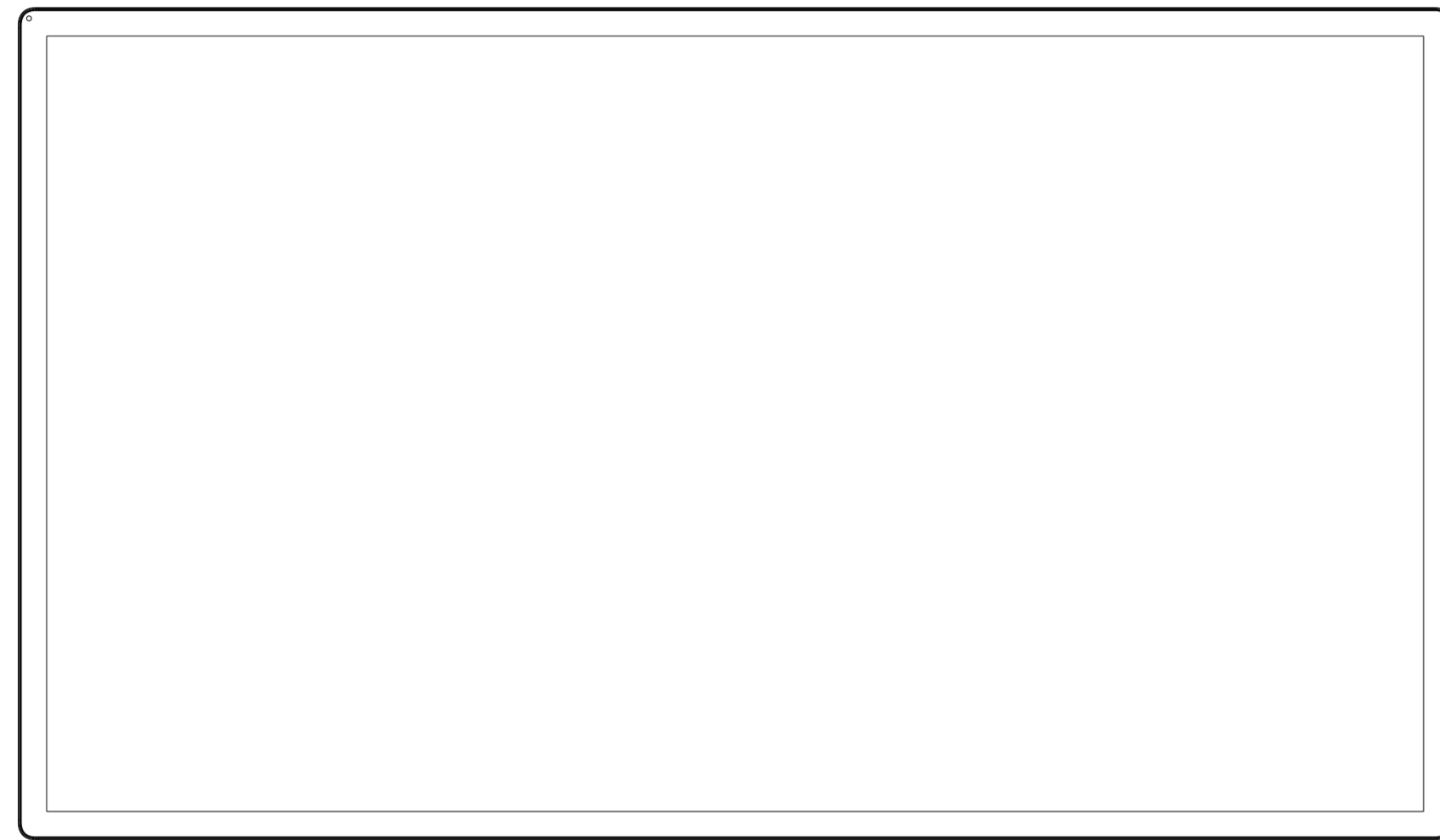
elo

MS603262

DATE: 08/01/2024

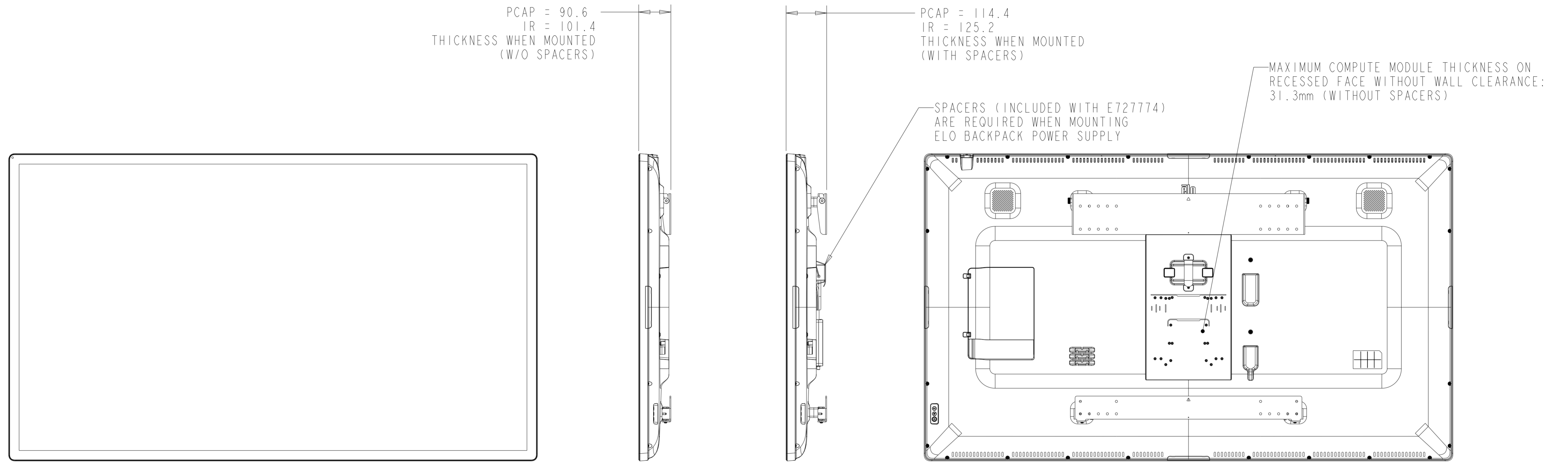
REV: A

COMPUTE MODULE MOUNTING



- BRIGHTSIGN COMPUTE MODULE MOUNTING INSTRUCTIONS:
1. ALIGN COMPUTE MODULE EDGE WITH HORIZONTAL MARKING
 2. CENTER COMPUTE MODULE USING VERTICAL MARKINGS
 3. INSTALL M4 SCREWS THROUGH DEVICE (MAX SCREW DEPTH INTO ET6554L = 5mm)
 4. CONNECT POWER AND I/O CABLES FROM COMPUTER TO 6554L

LOW-PROFILE WALL MOUNT KIT P/N E727774
SEE PAGE 4 FOR WALL SIDE LAYOUT



LOW-PROFILE WALL MOUNT KIT P/N E727774
WALL SIDE LAYOUT

